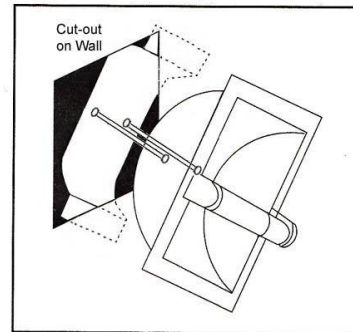
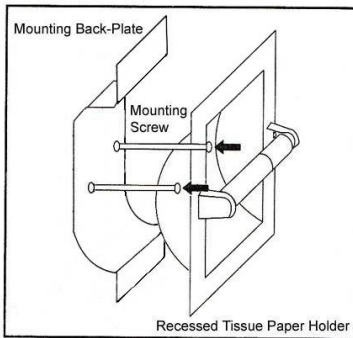


A) PRE-INSTALLATION PREPARATION

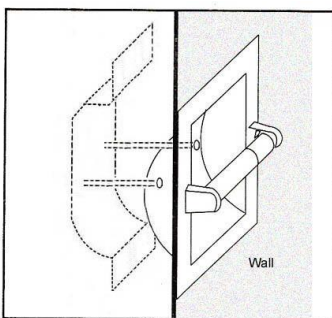
If there are any existing mounting holes on the wall, please check the dimensions of the hole with minimum of 5 1/8" x 5 1/8" but maximum of 5 1/2" x 5 1/2". If new holes have to be used on the wall, please also follow these dimensions for your cut-out.

B) EASY INSTALLATION

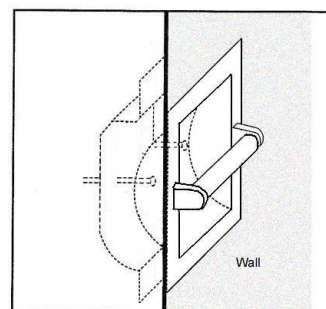


1) Attach Mounting Back-Plate to the Tissue Paper Holder with the screws (provided). Screw just couple turns to link up these 2 parts. Do not tighten yet.

2) Put the Mounting Back-Plate through the hole on wall by tilting it to one side as necessary.



3) Then, position the Tissue Paper Holder up-right with the side edges well covering the wall hole. Hold firmly against the wall.



4) At last, tighten up the screws all the way down until Back-Plate is firmly pressed against the inside of the wall to secure the Tissue Paper Holder in position.

Importants

- : To check the product is securely mounted, push the product sideways slightly; re-adjust the screws if necessary.
- : Do not over-tighten the mounting screws to avoid any damage to the wall.
- : Make sure both screws are tightened to the same depth, in order to provide balance pressure against the wall.